

S E R V I C E N O T E

SUPERSEDES: None

8922E GSM MS Service Test Set

Serial Numbers: 3234A00101 / 3343A00150

Recommended Removal of Hardware

Duplicate Service Notes:

- 8922A-01
- 8922B-01
- 8922E-01
- 8922G-01

Parts Required: None

Situation:

Instruments with serial numbers noted above may have internal hardware (screw and nut) which is improperly attached to the A31 GSM CODEC, A32 GSM Controller, and A34 GSM RTI assemblies. Refer to Figure 1 for location of these assemblies. The hardware can become separated from the assembly, contact other circuitry and may cause electrical damage.

Solution/Action:

Remove and discard the hardware. Specific locations are indicated in Figure 2. Check for and remove any loose hardware within the instrument. Re-calibration is not required.

Continued

DATE: 02 June 1994

ADMINISTRATIVE INFORMATION

SERVICE NOTE CLASSIFICATION:					
MODIFICATION RECOMMENDED					
ACTION CATEGORY:	<input type="checkbox"/> IMMEDIATELY <input type="checkbox"/> ON SPECIFIED FAILURE <input checked="" type="checkbox"/> AGREEABLE TIME	STANDARDS:	Labor 1.0 Hour		
LOCATION CATEGORY:	<input checked="" type="checkbox"/> CUSTOMER INSTALLABLE <input type="checkbox"/> ON-SITE <input checked="" type="checkbox"/> SERVICE CENTER	SERVICE INVENTORY:	<input type="checkbox"/> RETURN <input checked="" type="checkbox"/> SCRAP <input type="checkbox"/> SEE TEXT	USED PARTS:	<input type="checkbox"/> RETURN <input checked="" type="checkbox"/> SCRAP <input type="checkbox"/> SEE TEXT
AVAILABILITY:	PRODUCT'S SUPPORT LIFE		AGILENT RESPONSIBLE UNTIL: 01 June 1999		
AUTHOR: LHL	ENTITY: 1000	ADDITIONAL INFORMATION:			

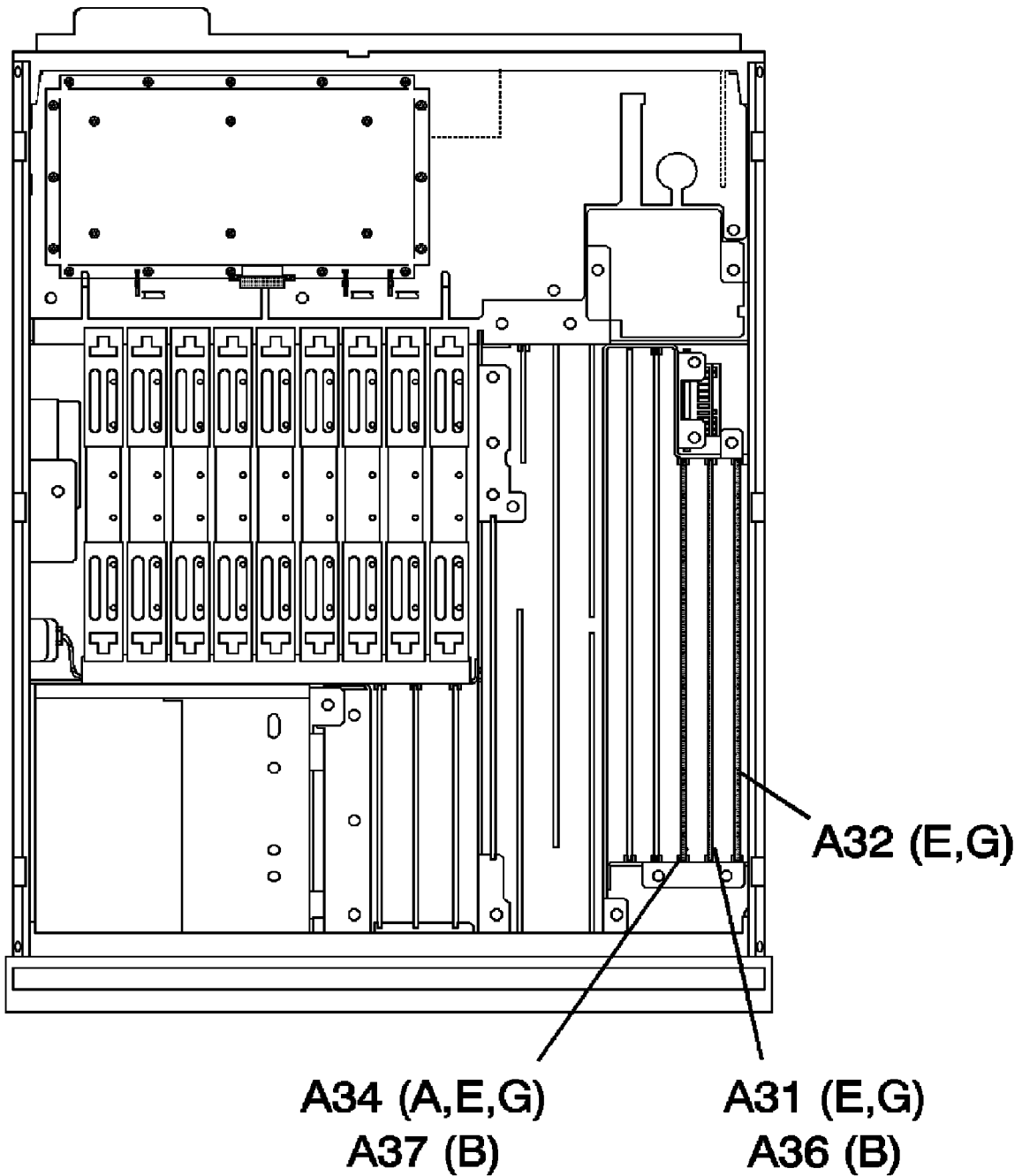


FIGURE 1
Top Internal View of HP 8922A/B/E/G

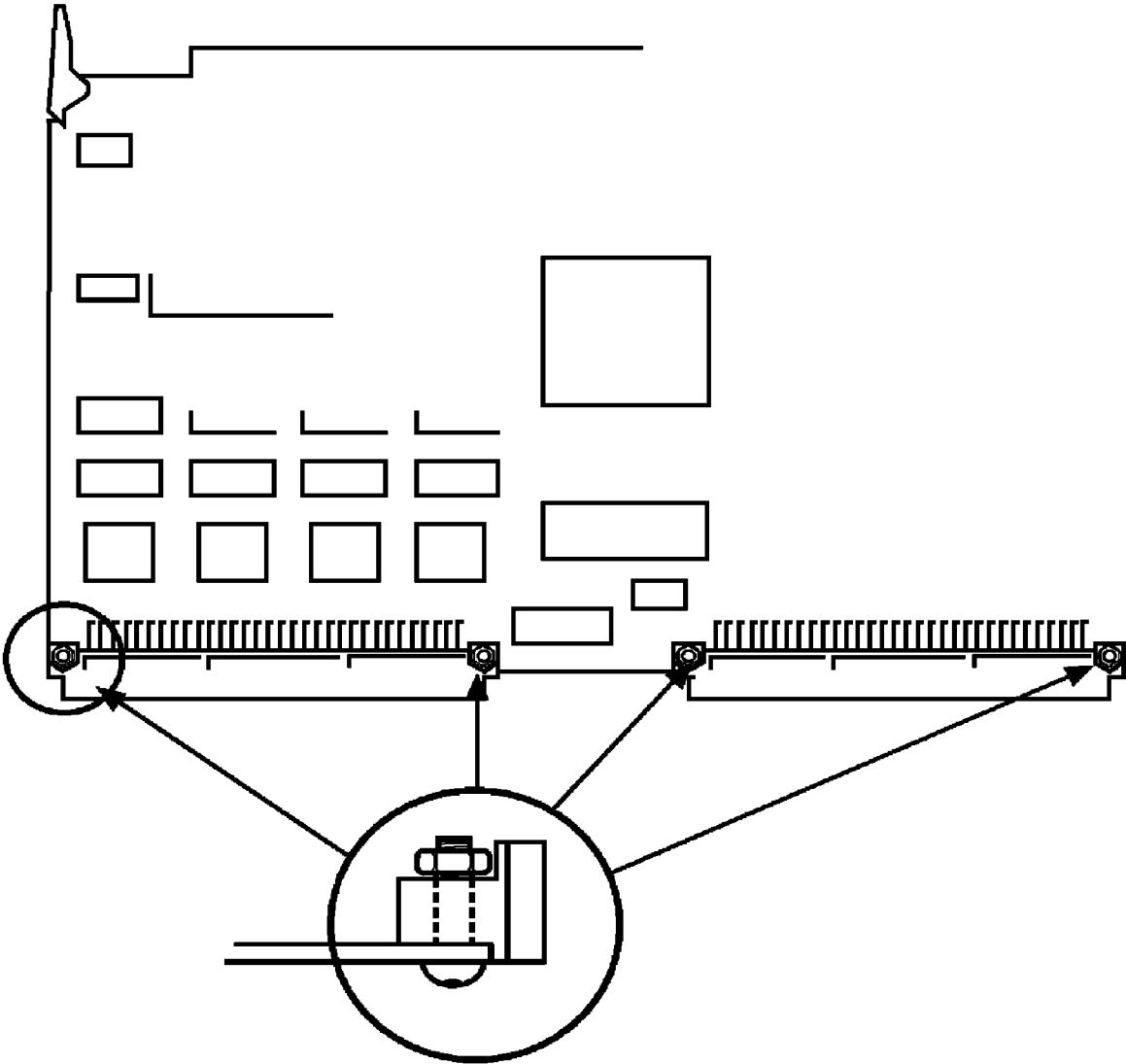


FIGURE 2
Location of Excess Screw and Nut Hardware